



Project	
Notes	
Type	Date
Cat. No.	

**LT-CD™ SR/RC Series**

**Volumetric LED Troffer Field Adjustable**



**DESCRIPTION**

The Aleo LT-CD™ (SR/RC) Series LED Field Adjustable Troffer delivers industry-leading Versatility with deep energy savings and continuous dimming. The precision-formed diffuser produces comfortable and pleasant illumination, enhancing productive spaces in various applications.

**APPLICATIONS**

Provides architectural aesthetics for retail, schools, offices, healthcare, and other various commercial applications.



**Specification Features**

**Construction**

Simple construction with minimal parts allows for easy handling and installation. Low profile design optimizes shipping, storage, and handling. Luminaire features matte white durable finish. Integral T-Bar clips built into luminaire. Diffuser requires no additional frame or fastener for easy installation.

**Optical System**

Reflector systems features highly reflective coating and delivers balanced, comfortable illuminance for productive spaces. Diffuser lens reduces glare and improves occupant comfort while maintaining high efficiency emission.

**Certification**

UL Listed. All components have UL certification. UL Class 2. Driver: SCP, OTP, OVP protection, FCC Part 15 Class B, UL8750 Class 2. DLC Premium.

**Warranty**

7-year Limited Warranty. See warranty documentation for more information.

**Electrical**

Luminaire utilizes high-efficacy LED packages maintained at cool temperatures for long life, high efficacy. Reliable driver features continuous dimming. Universal voltage (120-277V) for convenient installation. Comes equipped with luminaire quick-disconnect.

**Field-Adjustable CCT**

Increased versatility and reduced inventory burden. Color Temp. can be adjusted in the field by selecting (3) different CCTs via switch on driver box

**Installation / Mounting**

Installs in most standard T-Bar ceiling grid systems. Flange kit available for hard-lid/drywall applications

**Controls / Dimming**

Continuous dimming (0-10V) comes standard. Suitable for use with dimmers, sensors, daylight harvesting and other control strategies to achieve deeper energy-savings and code compliance.

**LT-CD Series**

**2x4** 25W / 30W / 35W  
**2x2** 20W / 25W / 30W  
**1x4** 20W / 25W / 30W

**Rated Life** 75,000 hours  
**Limited Warranty** 7-years  
**Efficacy** Up to 133 LPW  
**Continuous Dimming**



**Quick Ship**

LT-CD-14-UXL-30/8CT G5 ECO  
 LT-CD-22-UXL-30/8CT G5 ECO (SR/RC)  
 LT-CD-24-UXL-34/8CT G5 ECO (SR/RC)

**Ordering Information**

Example: LT-CD-24-UXL-34/8CT G5 ECO (SR/RC) (XX)

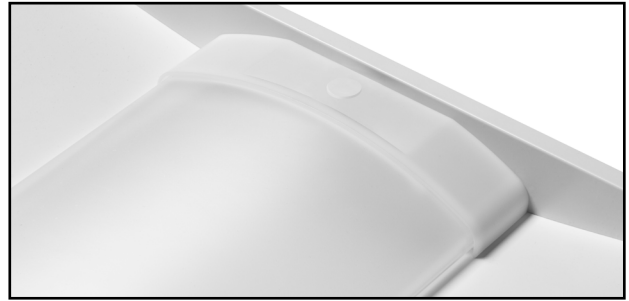
<b>LT-CD</b>	<b>24</b>	<b>UXL</b>	<b>34</b>	<b>8</b>	<b>CT</b>	<b>(XX)</b>	<b>[Blank]</b>
<b>Series</b>	<b>Form Factor</b>	<b>Lumen Package</b>	<b>Nominal Max Wattage</b>	<b>CRI</b>	<b>Color Temp</b>	<b>Nominal Max Wattage</b>	<b>Input Voltage</b>
<b>LT-CD</b>	<b>24</b> 2'x4'	<b>UXL</b>	<b>34</b> 2'x4' 35W	<b>8</b>	<b>CT</b> Field Adjust.	<b>2'x4'</b> 25W / 30W / 35W	<b>Blank</b>
Volumetric	<b>22</b> 2'x2'	Factory Set	<b>30</b> 2'x2' 30W	83+	3500K	<b>2'x2'</b> 20W / 25W / 30W	120V-277V
LED Troffer	<b>14</b> 1'x4'		<b>30</b> 1'x4' 30W		4000K	<b>1'x4'</b> 20W / 25W / 30W	
- Center					5000K		
Diffuser					*Utilize 3-way switch to select		
<b>[Blank]</b>	<b>Options</b>						
<b>Dimming</b>	<b>Controls</b>		<b>Emergency Backup</b>				
<b>Blank</b>	<b>(SR/RC)</b>	<b>OSDL/BT</b>	AleoBlue Wireless Bluetooth Occupancy Sensor			<b>EM700</b> 700lm	
0-10V	Sensor Ready with sensor receptacle					<b>EM1400</b> 1400lm	
Continuous Dimming							

Specifications and Dimensions subject to change without notice.

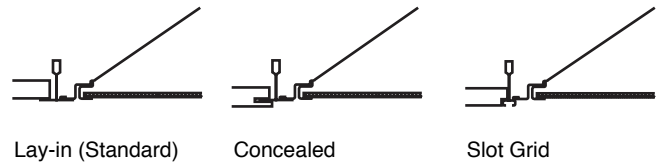
Performance Summary

Input Voltage	120V-277V
Input Frequency	50/60 Hz
Rated Wattage	See Performance Table
Delivered Lumens	See Performance Table
Efficacy	> 133 LPW (typ.)
CRI	82+, R9 > 0
Field Adjustable CCT	3500K / 4000K / 5000K
Color Consistency <sup>2</sup>	5-step MacAdam Ellipse
Rated Life	75,000 hours
L70 <sup>3</sup>	> 72,000 hours
Power Factor	> 0.9
THD	< 20%
Dimming	0-10V Continuous (10-100%)
Operating Temp.	-20°C to 50°C

Sensor Ready Quick Connect



Mounting Information



\* Fits 9/16, 15/16 and SS T-bar grid.  
Flange kit available upon request

Performance Data

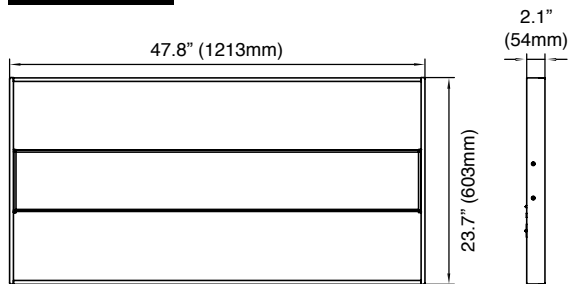
Form Factor	Catalog No.	Rated Wattage (W)	3500K		4000K		5000K	
			Delivered Lumens (lm)	Efficacy (lm/W)	Delivered Lumens (lm)	Efficacy (lm/W)	Delivered Lumens (lm)	Efficacy (lm/W)
1' x 4'	LT-CD-14-UXL-30/8CT G5 ECO	20	2840	142	3080	154	2880	144
		25	3450	138	3750	150	3500	140
		30	4020	134	4380	146	4080	136
2' x 2'	LT-CD-22-UXL-30/8CT G5 ECO (SR/RC)	20	2820	141	2980	149	2840	142
		25	3425	137	3625	145	3450	138
		30	4020	134	4260	142	4050	135
2' x 4'	LT-CD-24-UXL-34/8CT G5 ECO (SR/RC)	25	3500	140	3750	150	3600	144
		30	4080	136	4380	146	4200	140
		35	4655	133	5005	143	4795	137

NOTES:

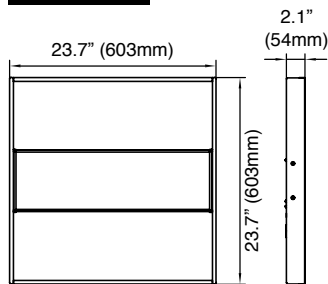
- <sup>1</sup> Quick ship: 4000K. Other CCTs may require a lead time or be special order
- <sup>2</sup> Typical color consistency. May vary or be changed.
- <sup>3</sup> L70 hours calculated based on LED package manufacturer LM80 report and ISTMT report of LED in luminaire. Stated values are for select catalog numbers.

Product Dimensions

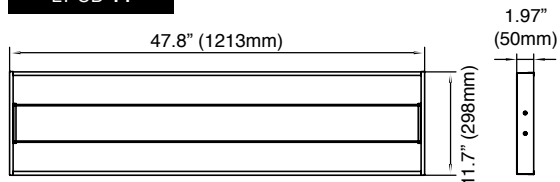
LT-CD-24



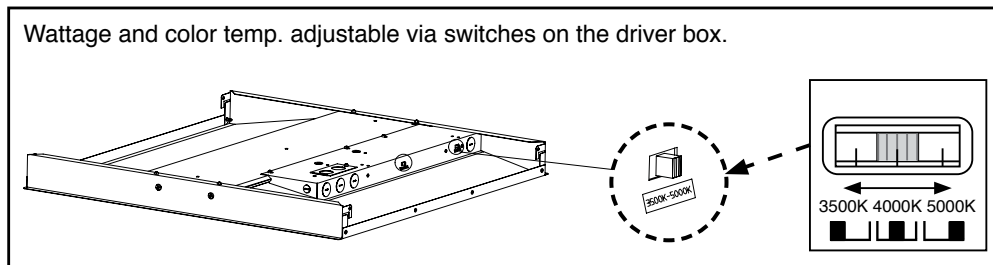
LT-CD-22



LT-CD-14



Field-Adjustable CCT



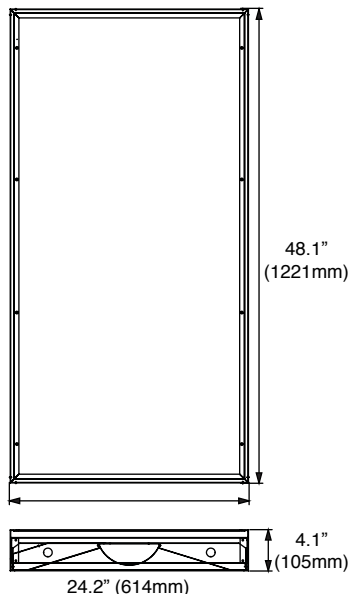
Accessory Options

Surface Mount Kits



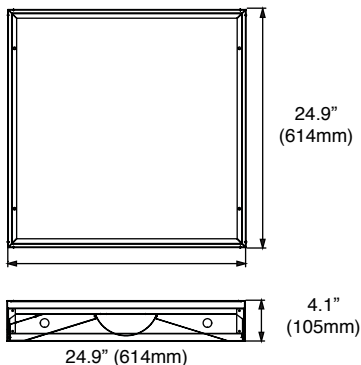
**SMK-24 ECO**

Surface Mount Kit for 2'x4' troffer or panel



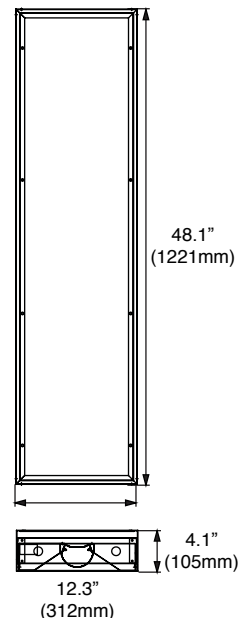
**SMK-22 ECO**

Surface Mount Kit for 2'x2' troffer or panel



**SMK-14 ECO**

Surface Mount Kit for 1'x4' troffer or panel

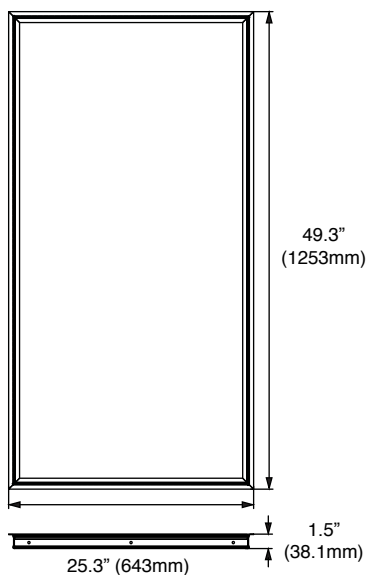


Flange Kits



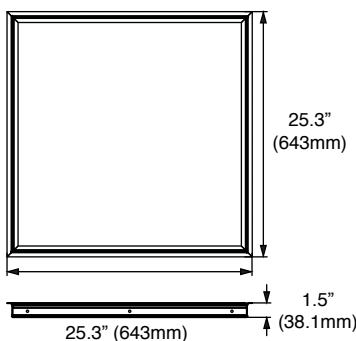
**FK-LT-24**

Flange Kit for 2'x4' troffer or panel



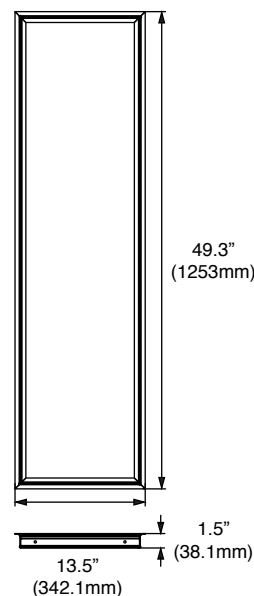
**FK-LT-22**

Flange Kit for 2'x2' troffer or panel



**FK-LT-14**

Flange Kit for 1'x4' troffer or panel





## AleoBlue Wireless Bluetooth Controls

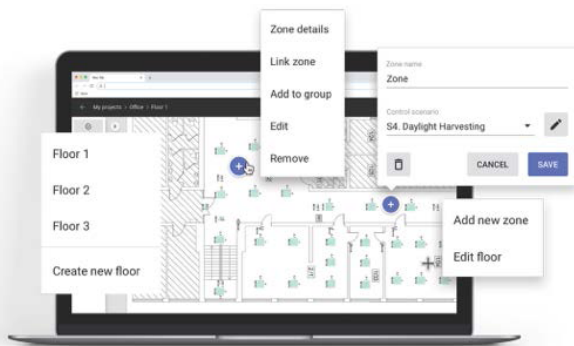


The AleoBlue is a complete solution for managing connected lighting systems using a Bluetooth Mesh lighting network. This enables seamless implementation of simple to complex lighting control scenarios without specialized training or lighting control engineering expertise.

DLC NLC Qualified.

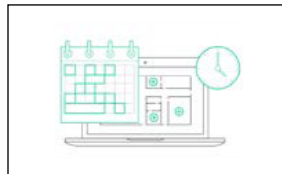
### Features and Benefits

- Lighting Zones / Grouping
- Manual control of individual lights
- On Power up Behavior
- Zone Linking
- Vacancy Sensing
- Per fixture Daylight Control
- Per zone Daylight Control



- Optimized Energy Consumption
- Less Hassle with On-Site Adjustments
- More Savings
- Increased Safety
- More Flexibility

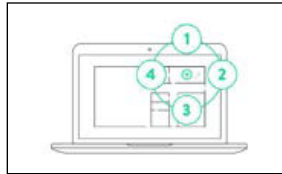
#### Scheduling



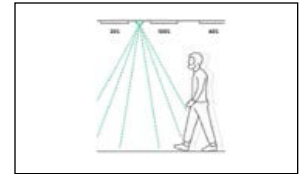
#### High and Low End Trim



#### Scenes



#### Occupancy Sensing



- Intuitive and user-friendly web and iOS apps
- No specialized training or lighting control expertise required
- Optimized for commercial spaces of any size
- No additional wiring or central control box
- Customizable lighting control parameters
- Future proof with Software Updates
- Multiple Zone Configurable
- Built-In Scenarios + Customization

### Bluetooth Mesh Technology Advantages



The fastest low-power communication



Scalability to thousands of devices



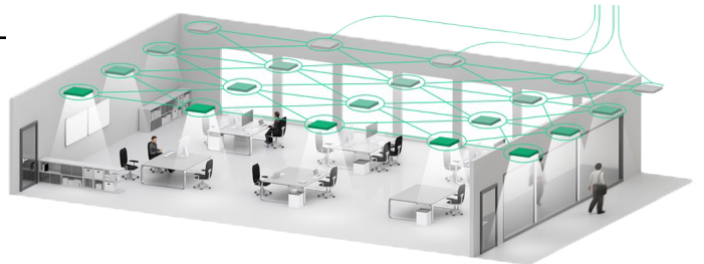
The most advanced encryption standards as well as the cutting-edge device authentication

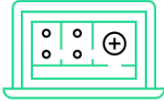


No single point of failure (no central device)



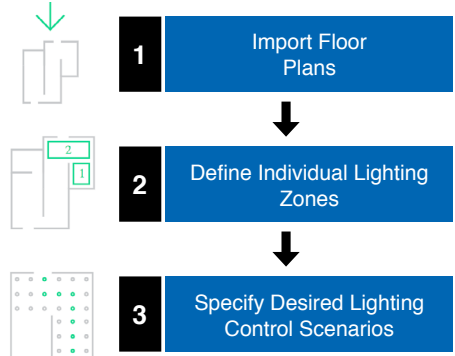
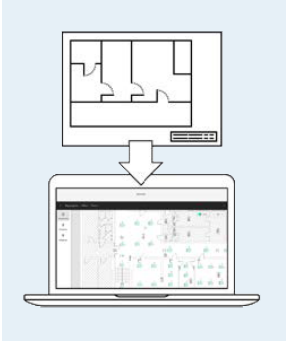
Compatibility with a widely available devices (smart phones & tablets – both with Bluetooth 4.0 and Bluetooth 5)





**Planning**

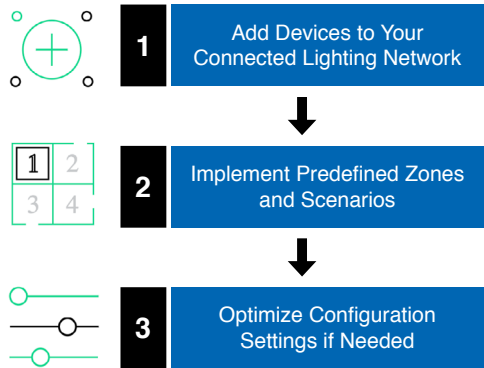
Remote preparation of a retrofit project with the use of our web app. Uploading floor plans, defining individual lighting zones and choosing lighting control scenarios.



**Implementation**

Adding lighting devices to the Bluetooth mesh network on-site with the use of an iOS app.

Customization and calibration of lighting control parameters during and after the commissioning process. Defining scenes for specific working activities.



**Provisioning / Configurations**

The Bluetooth mesh Node is in the Unprovisioned Mode until it is provisioned by a "Provisioner", which typically is a smart phone with a Bluetooth mesh compatible app.

**Ordering Information**



**Wireless Bluetooth Occupancy Sensor**  
Model: -OSDL/BT



**Wireless Bluetooth Lighting Control Node**  
Model: -WLC/BT



**EnOcean BLE Single-Rocker Switch**  
Model: ESRPB



**EnOcean BLE Double-Rocker Switch**  
Model: EDRPB

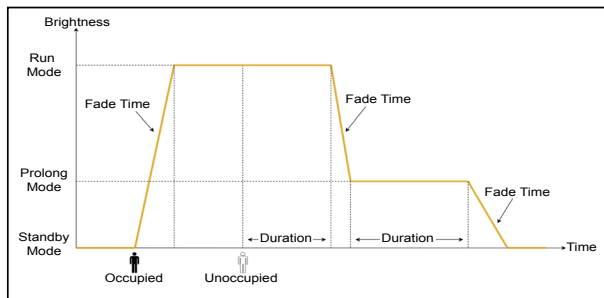
## Lighting Control Scenarios

Multiple lighting control scenarios are available once the Bluetooth mesh Node is provisioned. At each scenario, duration, fade time and target brightness can be configured at any time with the iOS app.

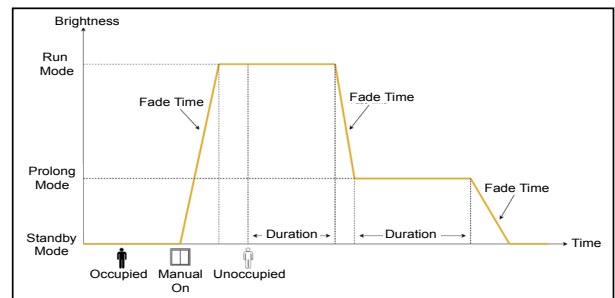


Mode / Scenario	Wireless Switch	Occupancy Sensor	Ambient Light Sensor
Unprovisioned Mode	-	-	-
Switch	On / Off / Scenes	-	-
Occupancy	On / Off / Scenes	Auto On / Off	-
Vacancy	On / Off / Scenes	Auto Off	-
Occupancy with Daylight Harvesting	On / Off / Scenes	Auto On / Off	Enabled
Vacancy with Daylight Harvesting	On / Off / Scenes	Auto Off	Enabled

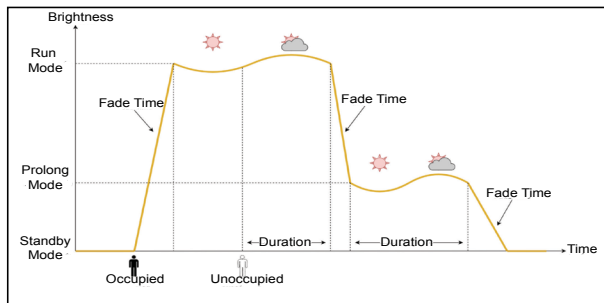
### Occupancy Scenario



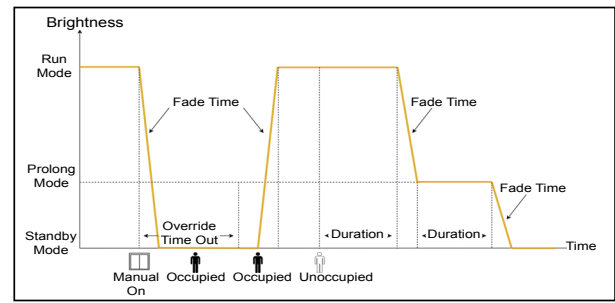
### Vacancy Scenario



### Occupancy Scenario - with Daylight Harvesting



### Occupancy Scenario with Manual Override



## Occupancy Detection Pattern

H	X	Y
7.9' (2.4m)	16.4' (5.0m)	16.4' (5.0m)
8.9' (2.7m)	18.4' (5.6m)	18.4' (5.6m)
9.8' (3.0m)	20.3' (6.2m)	20.3' (6.2m)

### Orientation Indicators

